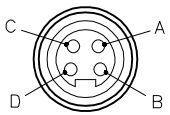

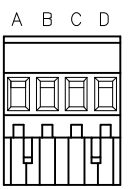
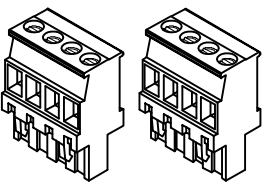
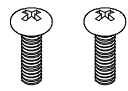
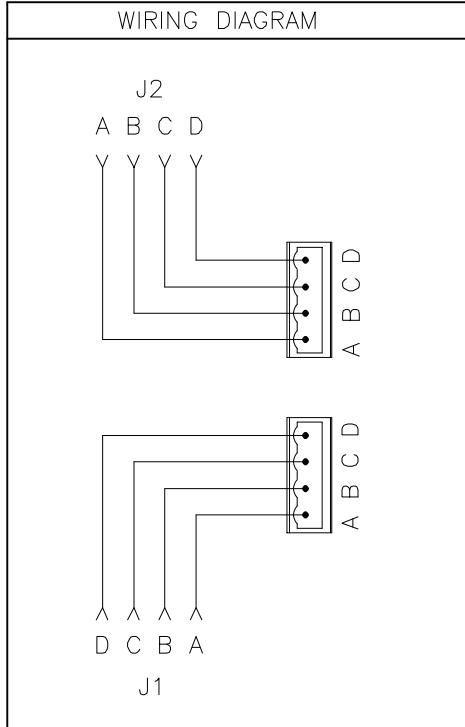
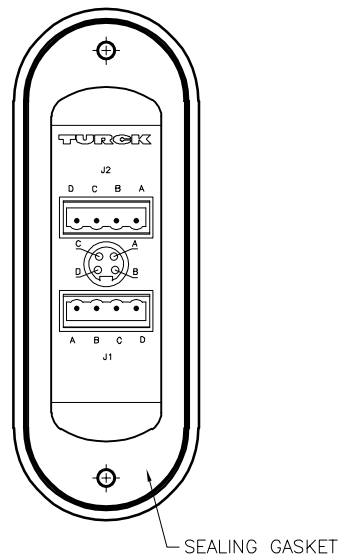
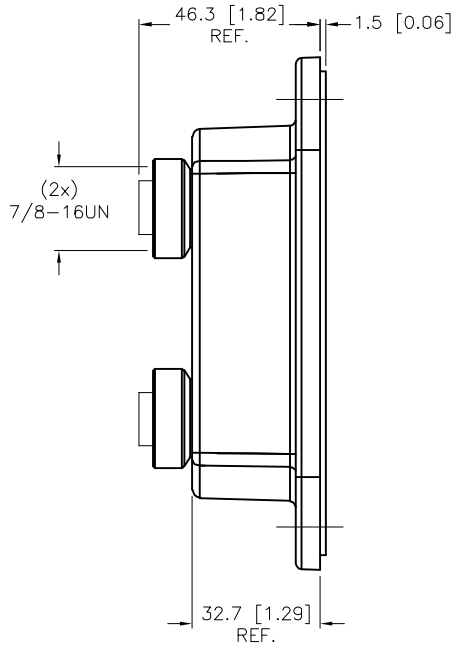
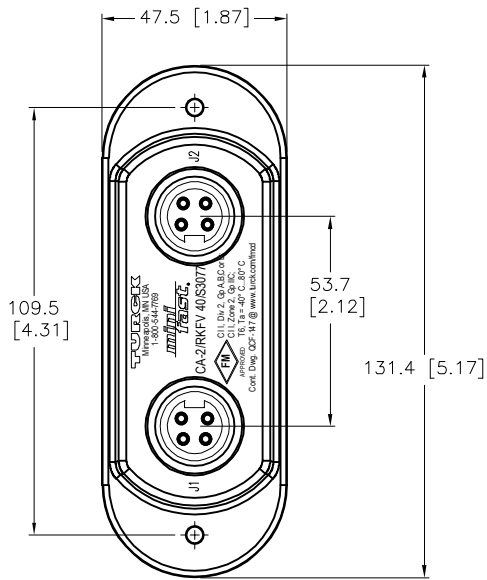
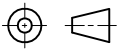


J1 CONNECTOR	TERMINAL BLOCK PLUG	TERMINAL PLUGS (INCLUDED)	COVER SCREWS (INCLUDED)	SPECIFICATIONS	
 			 8-32 SCREWS	HOUSING MATERIAL/COLOR	NYLON 66 - 33% GLASS FILLED/BLACK
				RECEPTACLE HOUSING MATERIAL/FINISH	STAINLESS STEEL/PASSIVATED
				CONTACT CARRIER/COLOR	TPU/BLACK
				CONTACT MATERIAL/PLATING	BRASS/GOLD
				OPERATING VOLTAGE	250 V
				OPERATING CURRENT	9.0 A PER CONDUCTOR
				PROTECTION CLASS to DIN 40050	IP 67 - ONLY WHEN ALL RECEPTACLES ARE COVERED WITH PLUGS OR CONNECTED
				OPERATING TEMPERATURE	-30°C to +80°C (-22°F to +176°F)



NOTES:  
 1. "/S3077" DESIGNATES ADAPTOR PLATE FOR 3/4" FORM 7 TYPE CONDUIT BODIES ADDED TO THE STANDARD CONDUIT COVERS. (SEE PAGE 2)

SOURCE DRAWING - FOR REFERENCE ONLY

RELATED DOCUMENTS 1. 2. 3. 4.	3RD ANGLE PROJECTION 	THIS DRAWING IS CONFIDENTIAL AND THE PROPERTY OF TURCK INC. USE OF THIS DOCUMENT WITHOUT WRITTEN PERMISSION IS PROHIBITED.		3000 CAMPUS DRIVE MINNEAPOLIS, MN 55441 1-800-544-7769 (763) 553-7300 (763) 553-0708 fax www.turck.us		
	MATERIAL  SEE SPECIFICATIONS	ALL DIMENSIONS DISPLAYED ON THIS DRAWING ARE FOR REFERENCE ONLY	DRFT RDS	DATE 07/31/09	DESCRIPTION CA-2/RKFV 40/S3077	
			APVD	SCALE 1=2.0		
	FINISH  SEE SPECIFICATIONS	CONTACT TURCK FOR MORE INFORMATION	UNIT OF MEASUREMENT <b>MILLIMETER [ INCH ]</b>		IDENTIFICATION NO. U3-10854	REV E
DO NOT SCALE THIS DRAWING			FILE: U3-10854	SHEET 1 OF 2		

E	UPDATE CLICHE	NF	12/04/25	500000011965
REV	DESCRIPTION	BY	DATE	ECO NO.